



**TWO-STAGE, 9-SPEED
ECM GAS FURNACE
UP TO 96% AFUE**

HEATING INPUT: 30,000–120,000 BTU/H

■ Contents

Nomenclature.....	2
Product Specifications.....	3
Dimensions	4
Airflow Specifications.....	5
Wiring Diagram.....	14
Accessories	15



■ Standard Features

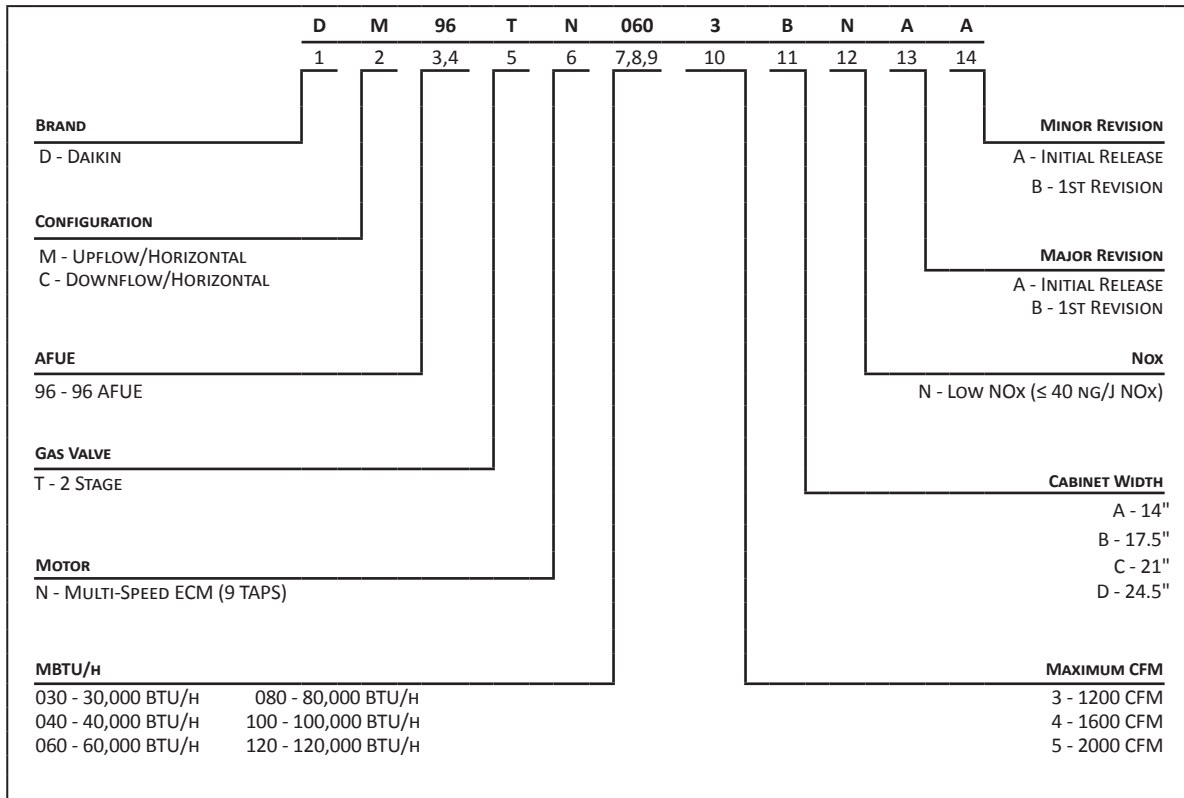
- Heavy-duty stainless-steel tubular heat exchanger
- Stainless-steel secondary heat exchanger
- Two-stage gas valve provides quiet, economical heating
- Durable Silicon Nitride igniter
- Quiet two-speed induced draft blower
- Self-diagnostic control board with constant memory fault history output to a 3-digit 7 segment LED display and push buttons
- Energy-efficient multi-speed (9-speed tap) ECM blower motor
- Multiple continuous fan speed options offer quiet air circulation
- Color-coded low-voltage terminals with provisions for electronic air cleaner and humidifier
- AHRI Certified; ETL Listed
- All models comply with CA Low NOx standards
- Can not be installed in California's South Coast Air Quality Management District (SCAQMD) and San Joaquin Valley Air Pollution Control District (SJVAPCD).

■ Cabinet Features

- Designed for multi-position installation: DM96TN: Upflow, horizontal left or right
- Certified for direct vent (2-pipe) or non-direct vent (1-pipe)
- Easy-to-install top venting with optional side venting
- Convenient left or right connection for gas and electrical service
- Cabinet air leakage (Q_{Leak}) $\leq 2\%$
- Heavy-gauge steel cabinet with durable finish
- Fully insulated heat exchanger and blower section
- Airtight solid bottom or side return with easy-cut tabs for effortless removal in bottom air-inlet applications



* Complete warranty details available from your local dealer or at www.daikincomfort.com. To receive the Lifetime Heat Exchanger Limited Warranty (good for as long as you own your home), the 12-Year Unit Replacement Limited Warranty and the 12-Year Parts Limited Warranty, online registration must be completed within 60 days of installation. Additional requirements for annual maintenance are required for the Unit Replacement Limited Warranty. Online registration and some of the additional requirements are not required in California or Quebec.



	DM96TN 0303ANA	DM96TN 0403ANA	DM96TN 0603ANA	DM96TN 0603BNA	DM96TN 0803BNA	DM96TN 0804CNA	DM96TN 1004CNA	DM96TN 1005CNA	DM96TN 1205DNA
HEATING DATA									
High Fire Input ¹	30,000	40,000	60,000	60,000	80,000	80,000	100,000	100,000	120,000
High Fire Output ¹	28,800	38,400	57,600	57,600	76,800	76,800	96,000	96,000	115,200
Low-Fire Steady-State Input ¹	21,000	28,000	42,000	42,000	56,000	56,000	70,000	70,000	84,000
Low-Fire Steady-State Output ¹	20,160	26,880	40,320	40,320	53,760	53,760	67,200	67,200	80,640
AFUE ²	96	96	96	96	96	96	96	96	96
Temperature Rise Range (°F)	20 - 50	20 - 50	30 - 60	35 - 65	35 - 65	25 - 55	35 - 65	35 - 65	35 - 65
Vent Diameter ³	2" - 3"	2" - 3"	2" - 3"	2" - 3"	2" - 3"	2" - 3"	2" - 3"	2" - 3"	2" - 3"
No. of Burners	2	2	3	3	4	4	5	5	6
CIRCULATOR BLOWER									
Available AC @ 0.5" ESP	1.5 - 2	1.5 - 3	1.5 - 3	1.5 - 3	1.5 - 3	2.5 - 4	1.5 - 4	3 - 5	3 - 5
Size (D x W)	11" x 6"	11" x 6"	11" x 6"	11" x 8"	11" x 8"	11" x 10"	11" x 10"	11" x 10"	11" x 11"
Horsepower @ 1075 RPM	1/2	1/2	1/2	1/2	1/2	3/4	1	1	1
No. of speeds	9	9	9	9	9	9	9	9	9
FILTER SIZE (IN²) (QTY)	(1) 16 x 25 (side) or (1) 14 x 25 (bottom)	(1) 16 x 25 (side) or (1) 14 x 25 (bottom)	(1) 16 x 25 (side) or (1) 14 x 25 (bottom)	(1) 16 x 25 (side or bottom)	(1) 16 x 25 (side or bottom)	(1) 16 x 25 (side or bottom)	(1) 16 x 25 (side or bottom)	(1) 20 x 25 (bottom) or (2) 16 x 25 (side)	(1) 20 x 25 (bottom) or (2) 16 x 25 (side)
ELECTRICAL DATA									
Min. Circuit Ampacity ⁴	8.6	8.6	8.6	8	8	11.6	13.3	13.3	13.3
Max. Overcurrent (amps) ⁵	15	15	15	15	15	15	20	20	20
SHIPPING WEIGHT (LBS)	106	106	110	115	118	123	140	140	154

¹ Natural Gas BTU/h; for altitudes 0-4500' above sea level, reduce input rating by 4% for each 1000' above 4500' altitude.

² DOE AFUE based upon Isolated Combustion System (ICS)

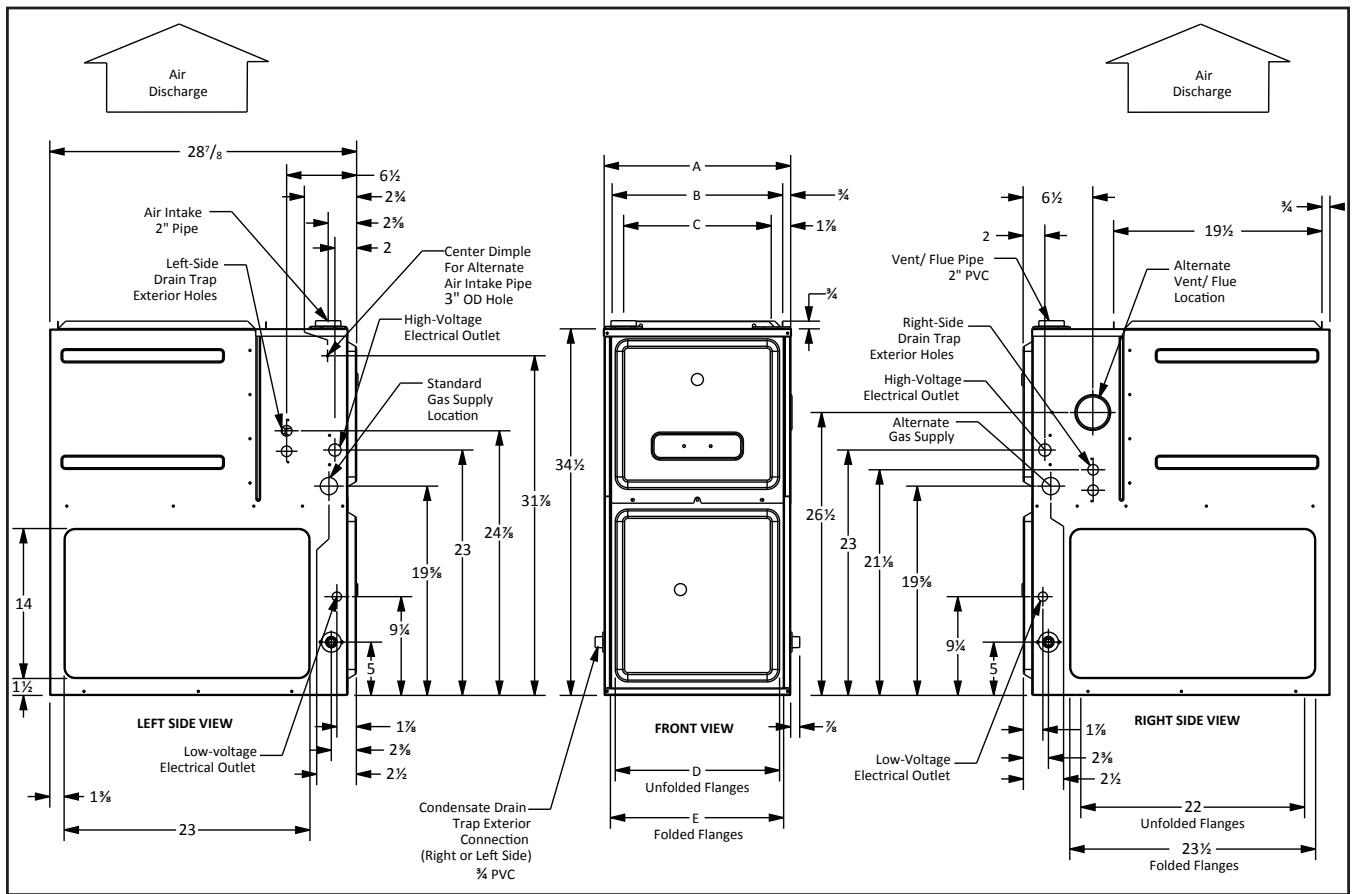
³ Vent and combustion air diameters may vary depending upon vent length. Refer to the latest editions of the National Fuel Gas Code NFPA 54/ANSI Z223.1 (in the USA) and the Canada National Standard of Canada, CAN/CSA B149.1 and CAN/CSA B142.2 (in Canada).

⁴ Minimum Circuit Ampacity = (1.25 x Circulator Blower Amps) + ID Blower amps. Wire size should be determined in accordance with National Electrical Codes. Extensive wire runs will require larger wire sizes.

⁵ Maximum Overcurrent Protection Device refers to maximum recommended fuse or circuit breaker size. May use fuses or HACR-type circuit breakers of the same size as noted.

NOTES

- All furnaces are manufactured for use on 115 VAC, 60 Hz, single-phase electrical supply.
- Gas Service Connection ½" FPT
- Important: Size fuses and wires properly and make electrical connections in accordance with the National Electrical Code and/or all existing local codes.
- For bottom return: Failure to unfold flanges may reduce airflow by up to 18%. This could result in performance and noise issues.
- For servicing or cleaning, a 24" front clearance is required. Unit connections (electrical, flue and drain) may necessitate greater clearances than the minimum clearances listed above. In all cases, accessibility clearance must take precedence over clearances from the enclosure where accessibility clearances are greater.



MODEL	AIR DISCHARGE			AIR RETURN	
	A	B	C	D	E
DM96TN0303ANA	14"	12 1/2"	10 1/2"	8 5/8"	10 1/8"
DM96TN0403ANA	14"	12 1/2"	10 1/2"	8 5/8"	10 1/8"
DM96TN0603ANA	14"	12 1/2"	10 1/2"	8 5/8"	10 1/8"
DM96TN0603BNA	17 1/2"	16"	13 3/8"	12 1/8"	13 3/8"
DM96TN0803BNA	17 1/2"	16"	13 3/8"	12 1/8"	13 3/8"
DM96TN0804CNA	21"	19 1/2"	17 3/8"	16"	17 1/2"
DM96TN1004CNA	21"	19 1/2"	17 3/8"	16"	17 1/2"
DM96TN1005CNA	21"	19 1/2"	17 3/8"	16"	17 1/2"
DM96TN1205DNA	24 1/2"	23"	20 3/8"	19 3/8"	20 3/8"

MINIMUM CLEARANCES TO COMBUSTIBLE MATERIALS

POSITION	SIDES	REAR	FRONT	BOTTOM	FLUE	TOP
Upflow	0"	0"	3"	C	0"	1"
Horizontal	6"	0"	3"	C	0"	6"

C = If placed on combustible floor, the floor MUST be wood ONLY.

MODEL	THERMOSTAT CALL	TAP #	EXTERNAL STATIC PRESSURE, (INCHES WATER COLUMN)							
			0.1	0.2	0.3	0.4	0.5	0.6	0.7	0.8
			CFM	CFM	CFM	CFM	CFM	CFM	CFM	CFM
DM96TN 0303AN	Y/Y1	F01	753	708	663	616	568	513	470	423
		F02	915	883	845	809	773	730	690	650
		F03	529	518	461	394	343	288	223	N/A
		F04^	880	843	807	768	723	683	643	590
		F05	1055	1022	990	959	930	891	858	825
		F06	1101	1072	1040	1010	980	949	918	881
		F07	1190	1162	1134	1104	1077	1042	1013	982
		F08	1183	1157	1130	1103	1077	1047	1018	988
		F09	1229	1206	1178	1153	1128	1100	1070	1042
DM96TN 0403AN	Y/Y1	F01	733	691	650	602	553	498	448	402
		F02	1051	1024	996	966	935	907	868	836
		F03	665	620	570	517	462	407	359	309
		F04^	915	881	846	814	780	737	695	652
		F05	1138	1114	1092	1064	1035	1006	977	947
		F06	887	855	823	790	751	705	666	608
		F07	1189	1163	1138	1111	1085	1059	1032	1001
		F08	1266	1243	1218	1197	1172	1148	1123	1099
		F09	1342	1324	1305	1280	1263	1239	1216	1193
DM96TN 0603AN	Y/Y1	F01	900	867	830	798	758	718	682	645
		F02	1292	1272	1248	1227	1206	1184	1162	1137
		F03	688	649	603	551	499	447	405	359
		F04^	866	830	797	759	717	675	634	591
		F05	1223	1195	1176	1149	1124	1101	1074	1047
		F06	1037	1004	975	950	921	886	853	823
		F07	1079	1053	1025	1000	970	941	911	873
		F08	1128	1099	1075	1050	1022	993	965	937
		F09	1171	1148	1124	1096	1070	1045	1017	988
DM96TN 0603BN	Y/Y1	F01	914	864	815	762	704	654	604	560
		F02	1121	1083	1041	996	953	906	861	818
		F03	758	696	636	572	512	460	412	N/A
		F04^	960	917	864	812	764	708	661	614
		F05	1164	1123	1084	1042	1003	960	920	871
		F06	1219	1180	1141	1102	1062	1020	978	940
		F07	1273	1240	1207	1171	1128	1089	1051	1012
		F08	1307	1270	1235	1198	1160	1122	1083	1043
		F09	1427	1390	1362	1327	1297	1260	1224	1193
DM96TC 0803BN	Y/Y1	F01	1205	1169	1131	1091	1053	1014	974	934
		F02	1415	1385	1355	1322	1291	1255	1219	1186
		F03	696	635	568	500	442	390	336	255
		F04^	1152	1112	1076	1035	996	954	916	868
		F05	1321	1287	1251	1217	1181	1146	1112	1072
		F06	901	851	801	746	690	638	587	543
		F07	1112	1076	1032	992	949	905	858	819
		F08	1290	1252	1215	1182	1143	1107	1071	1032
		F09	1471	1440	1409	1377	1347	1314	1283	1247

Note: ^ Default Speed

DM96TN AIRFLOW DATA – LOW STAGE COOLING (CONT.)

MODEL	THERMOSTAT CALL	TAP #	EXTERNAL STATIC PRESSURE, (INCHES WATER COLUMN)							
			0.1	0.2	0.3	0.4	0.5	0.6	0.7	0.8
			CFM	CFM	CFM	CFM	CFM	CFM	CFM	CFM
DM96TN 0804CN	Y/Y1	F01	1289	1234	1180	1122	1058	991	917	840
		F02	1836	1784	1741	1703	1664	1628	1585	1537
		F03	1297	1246	1199	1142	1083	1020	949	872
		F04^	1194	1137	1079	1014	948	873	792	712
		F05	1748	1696	1650	1612	1574	1526	1478	1428
		F06	1451	1399	1354	1309	1256	1200	1142	1077
		F07	1587	1534	1489	1445	1406	1354	1298	1244
		F08	1683	1633	1589	1546	1502	1460	1406	1355
		F09	1919	1890	1846	1807	1771	1735	1694	1650
DM96TN 1004CN	Y/Y1	F01	1475	1421	1369	1314	1260	1207	1152	1097
		F02	1791	1741	1699	1652	1609	1561	1513	1465
		F03	924	846	767	684	606	529	463	398
		F04^	1259	1197	1138	1074	1015	947	885	821
		F05	1710	1660	1613	1583	1517	1470	1421	1374
		F06	1592	1536	1486	1436	1383	1331	1281	1233
		F07	1627	1574	1524	1474	1423	1370	1320	1271
		F08	1921	1879	1840	1791	1751	1705	1656	1610
		F09	2026	1981	1929	1901	1858	1819	1773	1733
DM96TN 1005CN	Y/Y1	F01	1259	1197	1138	1074	1015	947	885	821
		F02	1791	1741	1699	1652	1609	1561	1513	1465
		F03	1176	1108	1044	980	913	845	779	718
		F04^	1347	1286	1231	1172	1115	1055	995	933
		F05	1921	1879	1840	1791	1751	1705	1656	1610
		F06	1446	1404	1335	1280	1226	1171	1117	1062
		F07	1618	1567	1510	1460	1413	1364	1312	1262
		F08	2009	1964	1918	1886	1852	1811	1759	1722
		F09	2161	2122	2084	2048	2010	1973	1940	1914
DM96TN 1205DN	Y/Y1	F01	1766	1712	1666	1612	1558	1506	1450	1395
		F02	2205	2157	2110	2064	2021	1974	1925	1879
		F03	1118	1035	952	860	750	663	590	519
		F04^	1684	1620	1561	1499	1438	1378	1318	1259
		F05	2031	1981	1933	1901	1850	1799	1750	1702
		F06	1220	1145	1070	995	952	907	811	725
		F07	1357	1311	1243	1175	1107	1021	932	861
		F08	1906	1877	1828	1778	1726	1674	1622	1568
		F09	2454	2396	2347	2296	2250	2202	2157	2113

Note: ^ Default Speed

MODEL	THERMOSTAT CALL	TAP #	EXTERNAL STATIC PRESSURE, (INCHES WATER COLUMN)							
			0.1	0.2	0.3	0.4	0.5	0.6	0.7	0.8
			CFM	CFM	CFM	CFM	CFM	CFM	CFM	CFM
DM96TN 0303AN	Y2	F01	753	708	663	616	568	513	470	423
		F02	915	883	845	809	773	730	690	650
		F03	529	518	461	394	343	288	223	N/A
		F04	880	843	807	768	723	683	643	590
		F05^	1055	1022	990	959	930	891	858	825
		F06	1101	1072	1040	1010	980	949	918	881
		F07	1190	1162	1134	1104	1077	1042	1013	982
		F08	1183	1157	1130	1103	1077	1047	1018	988
		F09	1229	1206	1178	1153	1128	1100	1070	1042
DM96TN 0403AN	Y2	F01	733	691	650	602	553	498	448	402
		F02	1051	1024	996	966	935	907	868	836
		F03	665	620	570	517	462	407	359	309
		F04	915	881	846	814	780	737	695	652
		F05^	1138	1114	1092	1064	1035	1006	977	947
		F06	887	855	823	790	751	705	666	608
		F07	1189	1163	1138	1111	1085	1059	1032	1001
		F08	1266	1243	1218	1197	1172	1148	1123	1099
		F09	1342	1324	1305	1280	1263	1239	1216	1193
DM96TN 0603AN	Y2	F01	900	867	830	798	758	718	682	645
		F02	1292	1272	1248	1227	1206	1184	1162	1137
		F03	688	649	603	551	499	447	405	359
		F04	866	830	797	759	717	675	634	591
		F05^	1223	1195	1176	1149	1124	1101	1074	1047
		F06	1037	1004	975	950	921	886	853	823
		F07	1079	1053	1025	1000	970	941	911	873
		F08	1128	1099	1075	1050	1022	993	965	937
		F09	1171	1148	1124	1096	1070	1045	1017	988
DM96TN 0603BN	Y2	F01	914	864	815	762	704	654	604	560
		F02	1121	1083	1041	996	953	906	861	818
		F03	758	696	636	572	512	460	412	N/A
		F04	960	917	864	812	764	708	661	614
		F05^	1164	1123	1084	1042	1003	960	920	871
		F06	1219	1180	1141	1102	1062	1020	978	940
		F07	1273	1240	1207	1171	1128	1089	1051	1012
		F08	1307	1270	1235	1198	1160	1122	1083	1043
		F09	1427	1390	1362	1327	1297	1260	1224	1193
DM96TC 0803BN	Y2	F01	1205	1169	1131	1091	1053	1014	974	934
		F02	1415	1385	1355	1322	1291	1255	1219	1186
		F03	696	635	568	500	442	390	336	255
		F04	1152	1112	1076	1035	996	954	916	868
		F05^	1321	1287	1251	1217	1181	1146	1112	1072
		F06	901	851	801	746	690	638	587	543
		F07	1112	1076	1032	992	949	905	858	819
		F08	1290	1252	1215	1182	1143	1107	1071	1032
		F09	1471	1440	1409	1377	1347	1314	1283	1247

Note: ^ Default Speed

DM96TN AIRFLOW DATA – HIGH STAGE COOLING (CONT.)

MODEL	THERMOSTAT CALL	TAP #	EXTERNAL STATIC PRESSURE, (INCHES WATER COLUMN)							
			0.1	0.2	0.3	0.4	0.5	0.6	0.7	0.8
			CFM	CFM	CFM	CFM	CFM	CFM	CFM	CFM
DM96TN 0804CN	Y2	F01	1289	1234	1180	1122	1058	991	917	840
		F02	1836	1784	1741	1703	1664	1628	1585	1537
		F03	1297	1246	1199	1142	1083	1020	949	872
		F04	1194	1137	1079	1014	948	873	792	712
		F05^	1748	1696	1650	1612	1574	1526	1478	1428
		F06	1451	1399	1354	1309	1256	1200	1142	1077
		F07	1587	1534	1489	1445	1406	1354	1298	1244
		F08	1683	1633	1589	1546	1502	1460	1406	1355
		F09	1919	1890	1846	1807	1771	1735	1694	1650
DM96TN 1004CN	Y2	F01	1475	1421	1369	1314	1260	1207	1152	1097
		F02	1791	1741	1699	1652	1609	1561	1513	1465
		F03	924	846	767	684	606	529	463	398
		F04	1259	1197	1138	1074	1015	947	885	821
		F05^	1710	1660	1613	1583	1517	1470	1421	1374
		F06	1592	1536	1486	1436	1383	1331	1281	1233
		F07	1627	1574	1524	1474	1423	1370	1320	1271
		F08	1921	1879	1840	1791	1751	1705	1656	1610
		F09	2026	1981	1929	1901	1858	1819	1773	1733
DM96TN 1005CN	Y2	F01	1259	1197	1138	1074	1015	947	885	821
		F02	1791	1741	1699	1652	1609	1561	1513	1465
		F03	1176	1108	1044	980	913	845	779	718
		F04	1347	1286	1231	1172	1115	1055	995	933
		F05^	1921	1879	1840	1791	1751	1705	1656	1610
		F06	1446	1404	1335	1280	1226	1171	1117	1062
		F07	1618	1567	1510	1460	1413	1364	1312	1262
		F08	2009	1964	1918	1886	1852	1811	1759	1722
		F09	2161	2122	2084	2048	2010	1973	1940	1914
DM96TN 1205DN	Y2	F01	1766	1712	1666	1612	1558	1506	1450	1395
		F02	2205	2157	2110	2064	2021	1974	1925	1879
		F03	1118	1035	952	860	750	663	590	519
		F04	1684	1620	1561	1499	1438	1378	1318	1259
		F05^	2031	1981	1933	1901	1850	1799	1750	1702
		F06	1220	1145	1070	995	952	907	811	725
		F07	1357	1311	1243	1175	1107	1021	932	861
		F08	1906	1877	1828	1778	1726	1674	1622	1568
		F09	2454	2396	2347	2296	2250	2202	2157	2113

Note: ^ Default Speed

MODEL	THERMOSTAT CALL	TAP #	EXTERNAL STATIC PRESSURE, (INCHES WATER COLUMN)							
			0.1	0.2	0.3	0.4	0.5	0.6	0.7	0.8
			CFM	CFM	CFM	CFM	CFM	CFM	CFM	CFM
DM96TN 0303AN	G	F01	753	708	663	616	568	513	470	423
		F02	915	883	845	809	773	730	690	650
		F03	529	518	461	394	343	288	223	N/A
		F04	880	843	807	768	723	683	643	590
		F05	1055	1022	990	959	930	891	858	825
		F06	1101	1072	1040	1010	980	949	918	881
		F07	1190	1162	1134	1104	1077	1042	1013	982
		F08	1183	1157	1130	1103	1077	1047	1018	988
		F09	1229	1206	1178	1153	1128	1100	1070	1042
DM96TN 0403AN	G	F01	733	691	650	602	553	498	448	402
		F02	1051	1024	996	966	935	907	868	836
		F03	665	620	570	517	462	407	359	309
		F04	915	881	846	814	780	737	695	652
		F05	1138	1114	1092	1064	1035	1006	977	947
		F06	887	855	823	790	751	705	666	608
		F07	1189	1163	1138	1111	1085	1059	1032	1001
		F08	1266	1243	1218	1197	1172	1148	1123	1099
		F09	1342	1324	1305	1280	1263	1239	1216	1193
DM96TN 0603AN	G	F01	900	867	830	798	758	718	682	645
		F02	1292	1272	1248	1227	1206	1184	1162	1137
		F03	688	649	603	551	499	447	405	359
		F04	866	830	797	759	717	675	634	591
		F05	1223	1195	1176	1149	1124	1101	1074	1047
		F06	1037	1004	975	950	921	886	853	823
		F07	1079	1053	1025	1000	970	941	911	873
		F08	1128	1099	1075	1050	1022	993	965	937
		F09	1171	1148	1124	1096	1070	1045	1017	988
DM96TN 0603BN	G	F01	914	864	815	762	704	654	604	560
		F02	1121	1083	1041	996	953	906	861	818
		F03	758	696	636	572	512	460	412	N/A
		F04	960	917	864	812	764	708	661	614
		F05	1164	1123	1084	1042	1003	960	920	871
		F06	1219	1180	1141	1102	1062	1020	978	940
		F07	1273	1240	1207	1171	1128	1089	1051	1012
		F08	1307	1270	1235	1198	1160	1122	1083	1043
		F09	1427	1390	1362	1327	1297	1260	1224	1193
DM96TC 0803BN	G	F01	1205	1169	1131	1091	1053	1014	974	934
		F02	1415	1385	1355	1322	1291	1255	1219	1186
		F03	696	635	568	500	442	390	336	255
		F04	1152	1112	1076	1035	996	954	916	868
		F05	1321	1287	1251	1217	1181	1146	1112	1072
		F06	901	851	801	746	690	638	587	543
		F07	1112	1076	1032	992	949	905	858	819
		F08	1290	1252	1215	1182	1143	1107	1071	1032
		F09	1471	1440	1409	1377	1347	1314	1283	1247

DM96TN AIRFLOW DATA – CIRCULATION AIRFLOW (CONT.)

MODEL	THERMOSTAT CALL	TAP #	EXTERNAL STATIC PRESSURE, (INCHES WATER COLUMN)							
			0.1	0.2	0.3	0.4	0.5	0.6	0.7	0.8
			CFM	CFM	CFM	CFM	CFM	CFM	CFM	CFM
DM96TN 0804CN	G	F01	1289	1234	1180	1122	1058	991	917	840
		F02	1836	1784	1741	1703	1664	1628	1585	1537
		F03	1297	1246	1199	1142	1083	1020	949	872
		F04	1194	1137	1079	1014	948	873	792	712
		F05	1748	1696	1650	1612	1574	1526	1478	1428
		F06	1451	1399	1354	1309	1256	1200	1142	1077
		F07	1587	1534	1489	1445	1406	1354	1298	1244
		F08	1683	1633	1589	1546	1502	1460	1406	1355
		F09	1919	1890	1846	1807	1771	1735	1694	1650
DM96TN 1004CN	G	F01	1475	1421	1369	1314	1260	1207	1152	1097
		F02	1791	1741	1699	1652	1609	1561	1513	1465
		F03	924	846	767	684	606	529	463	398
		F04	1259	1197	1138	1074	1015	947	885	821
		F05	1710	1660	1613	1583	1517	1470	1421	1374
		F06	1592	1536	1486	1436	1383	1331	1281	1233
		F07	1627	1574	1524	1474	1423	1370	1320	1271
		F08	1921	1879	1840	1791	1751	1705	1656	1610
		F09	2026	1981	1929	1901	1858	1819	1773	1733
DM96TN 1005CN	G	F01	1259	1197	1138	1074	1015	947	885	821
		F02	1791	1741	1699	1652	1609	1561	1513	1465
		F03	1176	1108	1044	980	913	845	779	718
		F04	1347	1286	1231	1172	1115	1055	995	933
		F05	1921	1879	1840	1791	1751	1705	1656	1610
		F06	1446	1404	1335	1280	1226	1171	1117	1062
		F07	1618	1567	1510	1460	1413	1364	1312	1262
		F08	2009	1964	1918	1886	1852	1811	1759	1722
		F09	2161	2122	2084	2048	2010	1973	1940	1914
DM96TN 1205DN	G	F01	1766	1712	1666	1612	1558	1506	1450	1395
		F02	2205	2157	2110	2064	2021	1974	1925	1879
		F03	1118	1035	952	860	750	663	590	519
		F04	1684	1620	1561	1499	1438	1378	1318	1259
		F05	2031	1981	1933	1901	1850	1799	1750	1702
		F06	1220	1145	1070	995	952	907	811	725
		F07	1357	1311	1243	1175	1107	1021	932	861
		F08	1906	1877	1828	1778	1726	1674	1622	1568
		F09	2454	2396	2347	2296	2250	2202	2157	2113

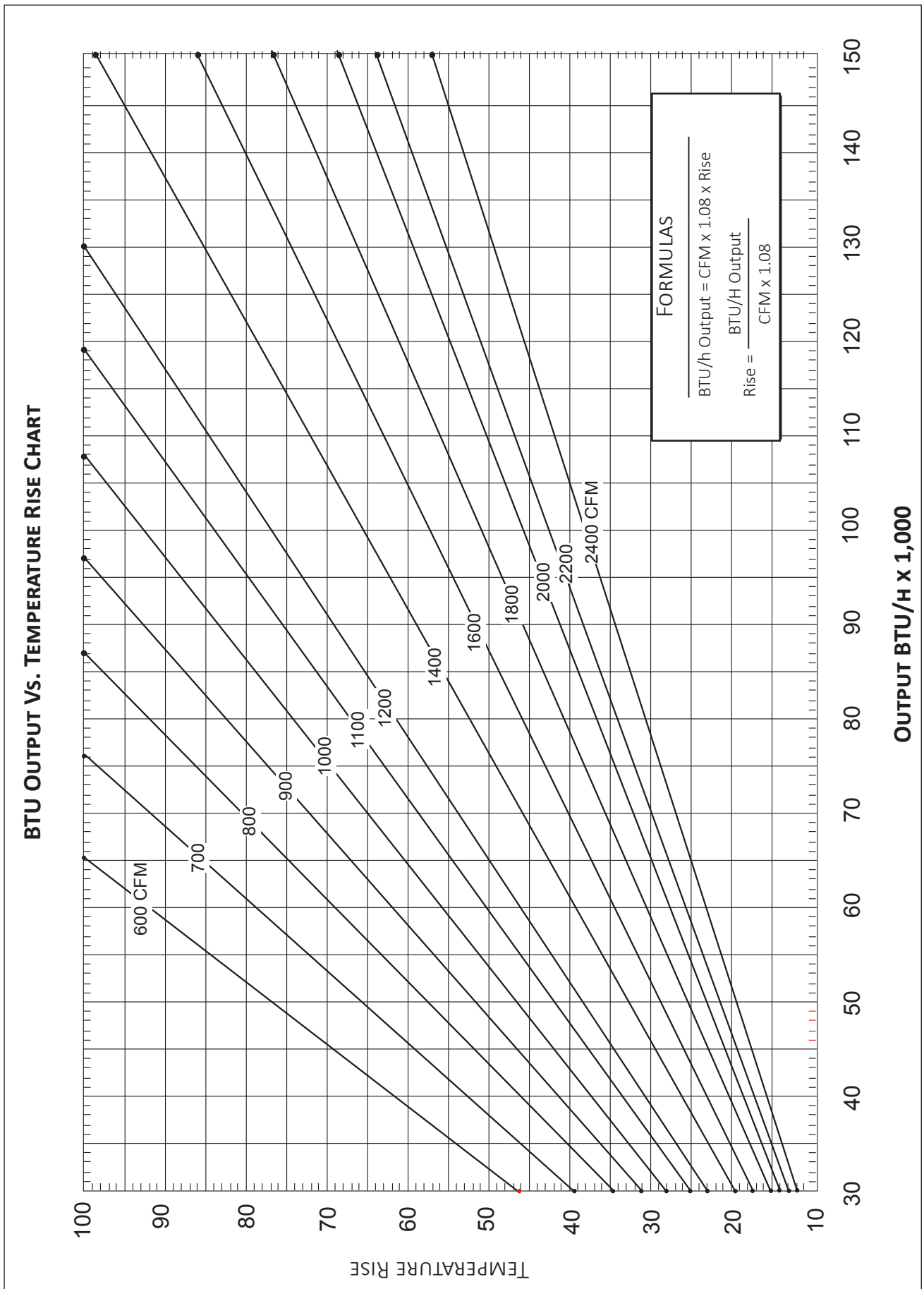
MODEL	THERMOSTAT CALL	TAP #	EXTERNAL STATIC PRESSURE, (INCHES WATER COLUMN)													
			0.1		0.2		0.3		0.4		0.5		0.6	0.7	0.8	
			CFM	RISE	CFM	RISE	CFM	RISE	CFM	RISE	CFM	RISE	CFM	CFM	CFM	
DM96TN 0303AN	W/W1	F01^	753	25	708	26	663	28	616	30	568	33	513	470	423	
		F03^^	529	N/A	518	N/A	461	N/A	394	N/A	343	N/A	288	223	N/A	
		F04	880	21	843	22	807	23	768	24	723	26	683	643	590	
	W2	F02^	915	29	883	30	845	32	809	33	773	34	730	690	650	
		F04	880	30	843	32	807	33	768	35	723	37	683	643	590	
		F05	1055	25	1022	26	990	27	959	28	930	29	891	858	825	
DM96TN 0403AN	W/W1	F01^	733	34	691	36	650	38	602	41	553	45	498	448	402	
		F03^^	665	N/A	620	N/A	570	N/A	517	N/A	462	N/A	407	359	309	
		F04	915	27	881	28	846	29	814	31	780	32	737	695	652	
	W2	F02^	1051	34	1024	35	996	36	966	37	935	38	907	868	836	
		F04	915	39	881	40	846	42	814	44	780	46	737	695	652	
		F05	1138	31	1114	32	1092	33	1064	33	1035	34	1006	977	947	
DM96TN 0603AN	W/W1	F01^	900	40	867	42	830	44	798	46	758	48	718	682	645	
		F03^^	688	N/A	649	N/A	603	N/A	551	N/A	499	N/A	447	405	359	
		F04	866	42	830	44	797	46	759	48	717	50	675	634	591	
	W2	F02^	1292	41	1272	42	1248	43	1227	43	1206	44	1184	1162	1137	
		F04^^	866	N/A	830	N/A	797	N/A	759	N/A	717	N/A	675	634	591	
		F05	1223	44	1195	45	1176	45	1149	46	1124	47	1101	1074	1047	
DM96TN 0603BN	W/W1	F01^	914	41	864	43	815	46	762	49	704	53	654	604	560	
		F03^^	758	N/A	696	N/A	636	N/A	572	N/A	512	N/A	460	412	N/A	
		F04	960	39	917	41	864	43	812	46	764	49	708	661	614	
	W2	F02^	1121	48	1083	49	1041	51	996	54	953	56	906	861	818	
		F04^^	960	N/A	917	N/A	864	N/A	812	N/A	764	N/A	708	661	614	
		F05	1164	46	1123	47	1084	49	1042	51	1003	53	960	920	871	
DM96TN 0803BN	W/W1	F01^	1205	41	1169	43	1131	44	1091	46	1053	47	1014	974	934	
		F03^^	696	N/A	635	N/A	568	N/A	500	N/A	442	N/A	390	336	255	
		F04	1152	43	1112	45	1076	46	1035	48	996	50	954	916	868	
	W2	F02^	1415	50	1385	51	1355	52	1322	54	1291	55	1255	1219	1186	
		F04^^	1152	N/A	1112	N/A	1076	N/A	1035	N/A	996	N/A	954	916	868	
		F05	1321	54	1287	55	1251	57	1217	58	1181	60	1146	1112	1072	

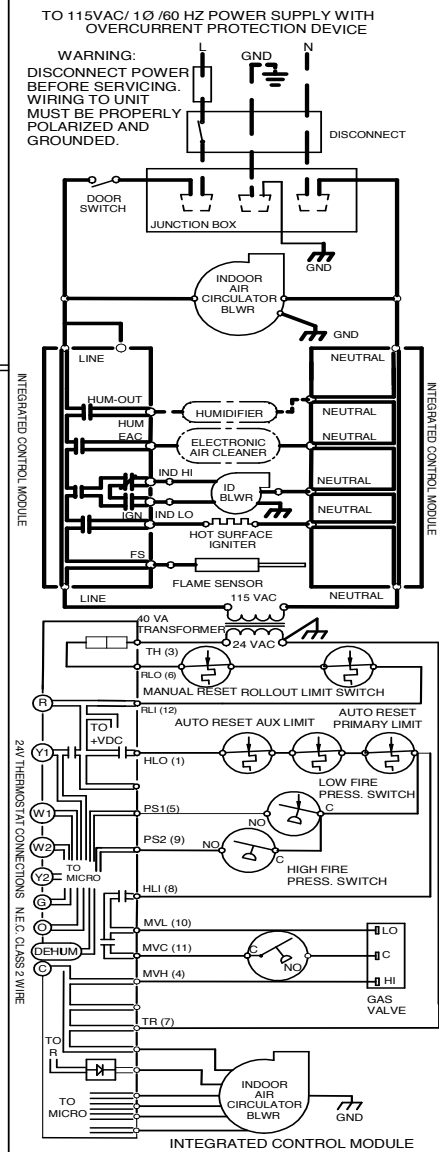
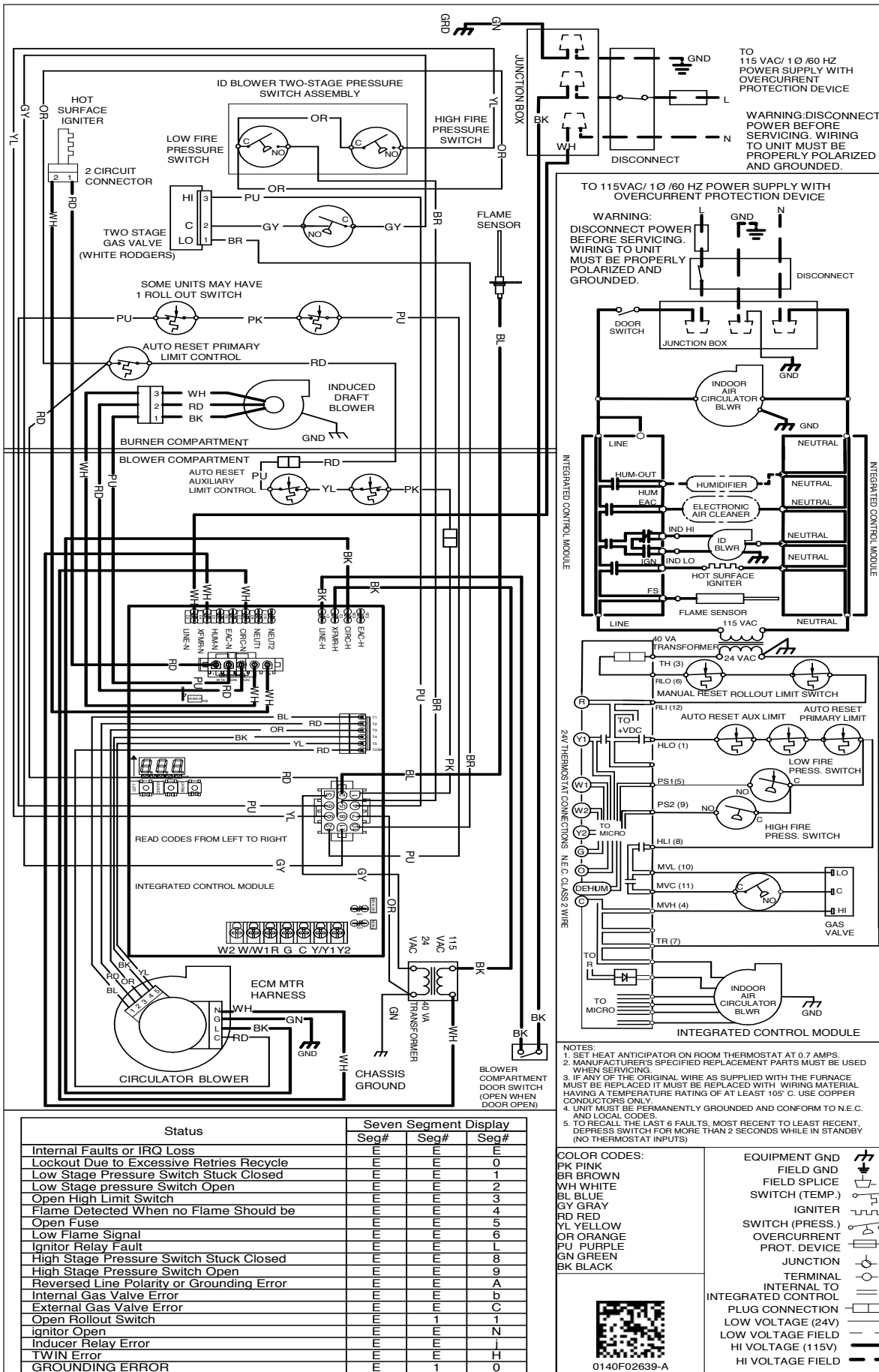
Note: ^Default & Recommended ^^Not Recommended for heating

DM96TN AIRFLOW DATA – HEATING AIRFLOW (CONT.)

MODEL	THERMOSTAT CALL	TAP #	EXTERNAL STATIC PRESSURE, (INCHES WATER COLUMN)												
			0.1		0.2		0.3		0.4		0.5		0.6	0.7	0.8
			CFM	RISE	CFM	RISE	CFM	RISE	CFM	RISE	CFM	RISE	CFM	CFM	CFM
DM96TN 0804CN	W/W1	F01^	1289	39	1234	40	1180	42	1122	44	1058	47	991	917	840
		F03	1297	38	1246	40	1199	42	1142	44	1083	46	1020	949	872
		F04	1194	42	1137	44	1079	46	1014	49	948	52	873	792	712
	W2	F02^	1836	39	1784	40	1741	41	1703	42	1664	43	1628	1585	1537
		F04^^	1194	N/A	1137	N/A	1079	N/A	1014	N/A	948	N/A	873	792	712
		F05	1748	41	1696	42	1650	43	1612	44	1574	45	1526	1478	1428
DM96TN 1004CN	W/W1	F01^	1475	42	1421	44	1369	45	1314	47	1260	49	1207	1152	1097
		F03^^	924	N/A	846	N/A	767	N/A	684	N/A	606	N/A	529	463	398
		F04	1259	49	1197	52	1138	55	1074	58	1015	61	947	885	821
	W2	F02^	1791	50	1741	51	1699	52	1652	54	1609	55	1561	1513	1465
		F04^^	1259	N/A	1197	N/A	1138	N/A	1074	N/A	1015	N/A	947	885	821
		F05	1710	52	1660	54	1613	55	1583	56	1517	59	1470	1421	1374
DM96TN 1005CN	W/W1	F01^	1259	49	1197	52	1138	55	1074	58	1015	61	947	885	821
		F03^^	1176	N/A	1108	N/A	1044	N/A	980	N/A	913	N/A	845	779	718
		F04	1347	46	1286	48	1231	51	1172	53	1115	56	1055	995	933
	W2	F02^	1791	50	1741	51	1699	52	1652	54	1609	55	1561	1513	1465
		F04^^	1347	N/A	1286	N/A	1231	N/A	1172	N/A	1115	N/A	1055	995	933
		F05	1921	46	1879	47	1840	48	1791	50	1751	51	1705	1656	1610
DM96TN 1205DN	W/W1	F01^	1766	42	1712	44	1666	45	1612	46	1558	48	1506	1450	1395
		F03^^	1118	N/A	1035	N/A	952	N/A	860	N/A	750	N/A	663	590	519
		F04	1684	44	1620	46	1561	48	1499	50	1438	52	1378	1318	1259
	W2	F02^	2205	48	2157	49	2110	51	2064	52	2021	53	1974	1925	1879
		F04^^	1684	N/A	1620	N/A	1561	N/A	1499	N/A	1438	N/A	1378	1318	1259
		F05	2031	53	1981	54	1933	55	1901	56	1850	58	1799	1750	1702

Note: ^Default & Recommended ^^Not Recommended for heating





- NOTES:
1. SET HEAT ANTICIPATOR ON ROOM THERMOSTAT AT 0.7 AMPS.
 2. MANUFACTURER'S SPECIFIED REPLACEMENT PARTS MUST BE USED WHEN SERVICING.
 3. IF ANY OF THE ORIGINAL WIRE AS SUPPLIED WITH THE FURNACE DOOR SWITCH (OPEN WHEN DOOR OPEN) MUST BE REPLACED IT MUST BE REPLACED WITH WIRING MATERIAL HAVING A TEMPERATURE RATING OF AT LEAST 105° C. USE COPPER CONDUCTORS ONLY.
 4. UNIT MUST BE PERMANENTLY GROUNDED AND CONFORM TO N.E.C. AND LOCAL CODES.
 5. TO RECALL THE LAST 6 FAULTS, MOST RECENT TO LEAST RECENT, DEPRESS SWITCH FOR MORE THAN 2 SECONDS WHILE IN STANDBY (NO THERMOSTAT INPUTS)

COLOR CODES:

- PK PINK
- BR BROWN
- WH WHITE
- BL BLUE
- GY GRAY
- RD RED
- YL YELLOW
- OR ORANGE
- PU PURPLE
- GN GREEN
- BK BLACK

EQUIPMENT GND

- FIELD GND
- FIELD SPLICE
- SWITCH (TEMP.)
- IGNITER
- SWITCH (PRESS.)
- OVERCURRENT PROT. DEVICE
- JUNCTION
- INTERNAL TO INTEGRATED CONTROL
- PLUG CONNECTION
- LOW VOLTAGE (24V)
- LOW VOLTAGE FIELD
- HI VOLTAGE (115V)
- HI VOLTAGE FIELD

0140F02639-A

WARNING
High Voltage: Disconnect all power before servicing or installing this unit. Multiple power sources may be present. Failure to do so may cause property damage, personal injury, or death.

Wiring is subject to change. Always refer to the wiring diagram on the unit for the most up-to-date wiring.

Status	Seven Segment Display		
	Seg#	Seg#	Seg#
Internal Faults or IRQ Loss
Lockout Due to Excessive Retries Recycle
Low Stage Pressure Switch Stuck Closed
Low Stage pressure Switch Open
Open High Limit Switch
Flame Detected When no Flame Should be
Open Fuse
Low Flame Signal
Ignitor Relay Fault
High Stage Pressure Switch Stuck Closed
High Stage Pressure Switch Open
Reversed Line Polarity or Grounding Error
Internal Gas Valve Error
External Gas Valve Error
Open Rollout Switch
ignitor Open
Inducer Relay Error
TWIN Error
GROUNDING ERROR

ACCESSORIES

MODEL	DESCRIPTION	DM96TN 0303ANA	DM96TN 04043ANA	DM96TN 0603ANA	DM96TN 0603BNA	DM96TN 0803BNA	DM96TN 0804CNA	DM96TN 1004CNA	DM96TN 1005CNA	DM96TN 1205DNA
72950	Concentric Vent Kit (2")	√	√	√	√	√	√	√	√	—
72951	Concentric Vent Kit (3")	√	√	√	√	√	√	√	√	√
RF000142	Drain Kit-Horizontal Left Vertical Flue	√	√	√	√	√	√	√	√	√
EFR02	External Filter Rack with 16"x25" Permanent Filter	√	√	√	√	√	√	√	√	—
0170K00000S	Flush Mount Vent Kit- 3" or 2"	√	√	√	√	√	√	√	√	√
0170K00001S	Flush Mount Vent Kit- 2"	√	√	√	√	√	√	√	√	—
AFE18-60A	Fossil Fuel (Dual Fuel) Kit	√	√	√	√	√	√	√	√	√
HASFK	High-Altitude Natural Gas Kit	N/A	TBD	TBD	HASFK-1	HASFK-2	HASFK-2	HASFK-2	HASFK-3	HASFK-3
HASFK	High-Altitude LP Gas Kit	N/A	TBD	TBD	HASFK-1	HASFK-2	HASFK-2	HASFK-2	HASFK-2	HASFK-2
0270F05404	Horizontal Drain Tubing Kit	√	√	√	√	√	√	√	√	√
LPLP03	Low LP Gas Pressure Switch	√	√	√	√	√	√	√	√	√
LPM-08	LP Conversion Kits	---	√	√	√	√	√	√	√	√
LPM-30	LP Conversion Kit	√	---	---	—	—	—	—	—	—

